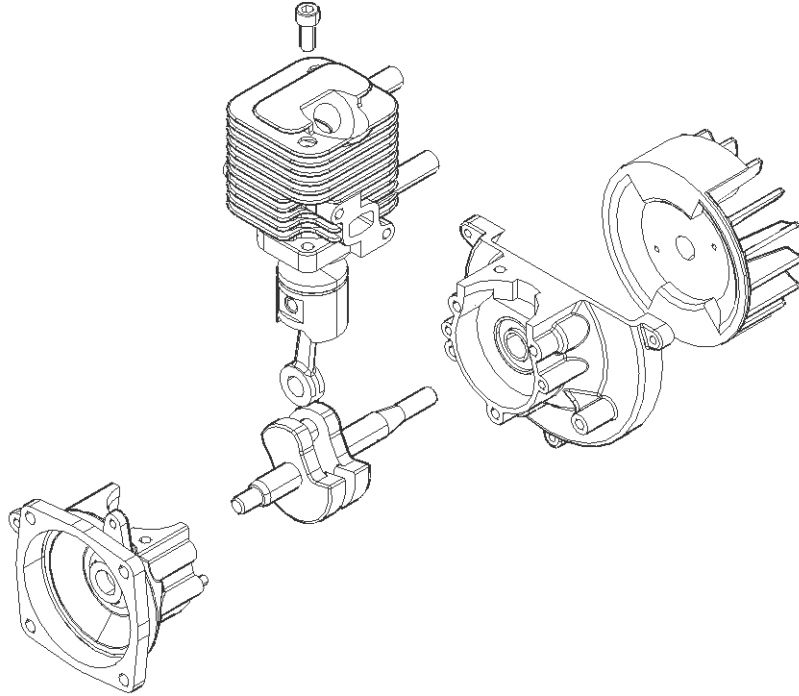


Bill of Materials

Click on the engine illustration to activate the 3D. With this 3D document, you can interactively view the CAD model, click the buttons, and click the bill of materials.



Part Information

